

BioPharm/Ultrapure Tubes ASME BPE

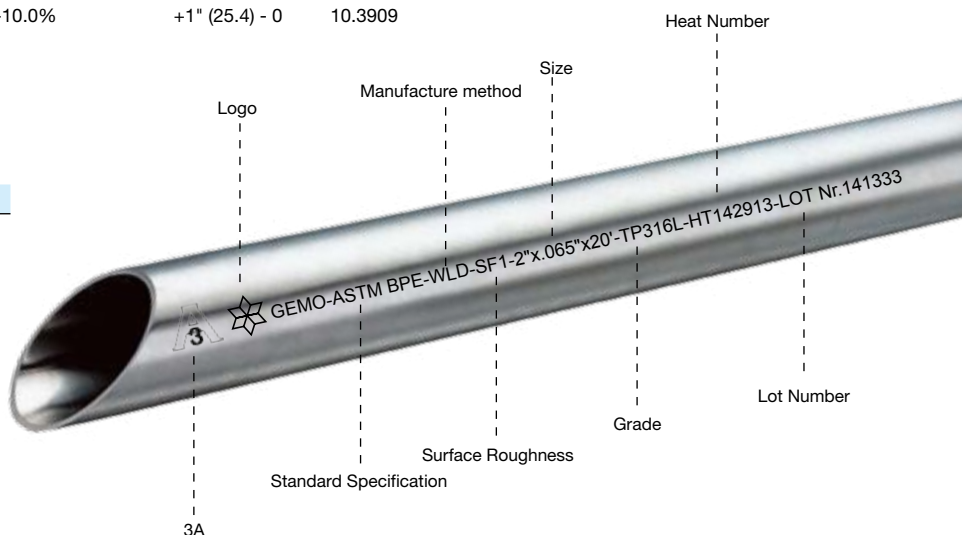
Dimensional Tolerances

all dimensions in inches (mm)

Size OD	Tolerances, OD	Wall thickness	Tolerances on wall thickness ^{a)}	Tolerances on Length	Weight Kg/M
1/2" (12.7)	+/-0.005" (0.13)	0.065" (1.65)	+/-10.0%	+1/8" (3.18) - 0	0.4571
3/4" (19.1)	+/-0.005" (0.13)	0.065" (1.65)	+/-10.0%	+1/8" (3.18) - 0	0.7218
1" (25.4)	+/-0.005" (0.13)	0.065" (1.65)	+/-10.0%	+1/8" (3.18) - 0	0.9824
1-1/2" (38.1)	+/-0.008" (0.20)	0.065" (1.65)	+/-10.0%	+1/8" (3.18) - 0	1.5078
2" (50.8)	+/-0.008" (0.20)	0.065" (1.65)	+/-10.0%	+1/8" (3.18) - 0	2.0331
2-1/2" (63.5)	+/-0.010" (0.25)	0.065" (1.65)	+/-10.0%	+1/8" (3.18) - 0	2.5585
3" (76.2)	+/-0.010" (0.25)	0.065" (1.65)	+/-10.0%	+1/8" (3.18) - 0	3.0797
4" (101.6)	+/-0.015" (0.38)	0.083" (2.11)	+/-10.0%	+1/8" (3.18) - 0	5.2628
6" (152.4)	+/-0.030" (0.76)	0.109" (2.77)	+/-10.0%	+1" (25.4) - 0	10.3909

Chemical Composition

Elements		316L (wt%)
(C)	Carbon, Max.	0.035
(Mn)	Manganese, Max.	2.00
(P)	Phosphorus, Max.	0.040
(S)	Sulfur	0.005-0.017
(Si)	Silicon, Max.	0.75
(Ni)	Nickel	10.0-15.0
(Cr)	Chromium	16.0-18.0
(Mo)	Molybdenum	2.0-3.0



Flow Information

Tube OD	Tube ID	Wall Thickness	Volume	Weight Dry	Weight with Water	Flow (GPM) at a Mean Velocity		
						5 fps	7 fps	10 fps
Inches	Inches	Inches	Gal/100 ft	Lbs/100 ft	Lbs/100 ft	5 fps	7 fps	10 fps
1/2	0.37	0.065	0.56	30.6	35.3	1.7	2.3	3.4
3/4	0.62	0.065	1.57	48.2	61.3	4.7	6.6	9.4
1	0.87	0.065	3.09	65.8	91.5	9.3	13	19
1 1/2	1.37	0.065	7.66	100.9	164.8	23	32	46
2	1.87	0.065	14.27	136.1	255.1	43	60	86
2 1/2	2.37	0.065	22.92	171.2	362.4	69	96	138
3	2.87	0.065	33.6	206.4	486.7	101	141	202
4	3.834	0.083	59.97	351.8	851.9	180	252	360
6	5.782	0.109	136.39	694.7	1832.2	409	573	818
8	7.782	0.109	247.07	930.6	2991.1	741	1038	1482

***This tubing is available in 1/2" (12.7 mm) to 6" (152.4 mm) OD in stock 20' (6.1 m) lengths.

